



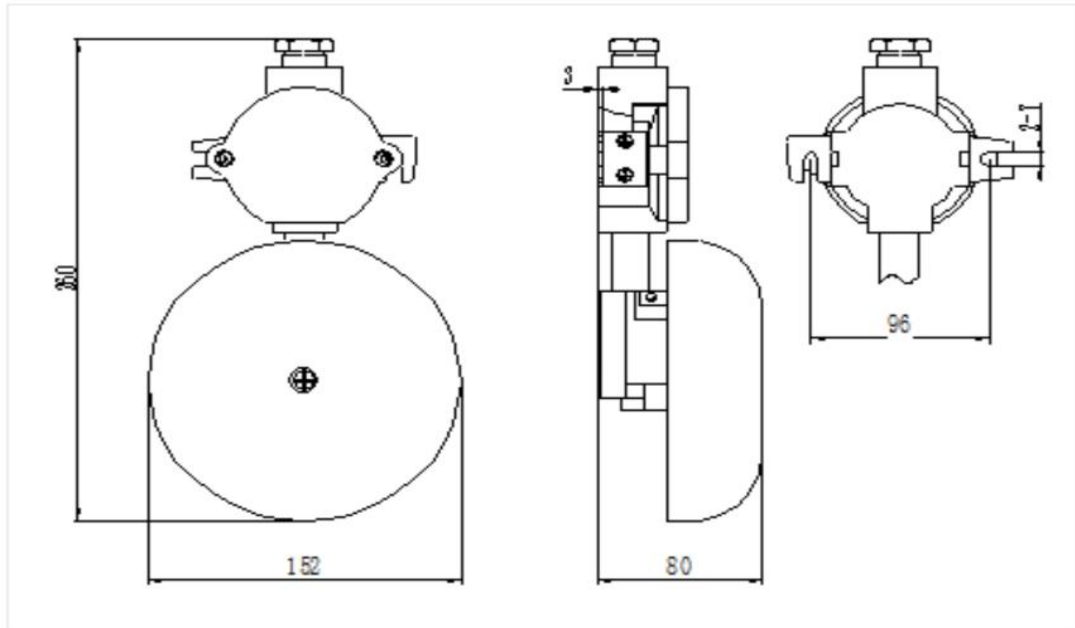
I. Overview

The AT-EBL01 Explosion-Proof Fire Alarm Bell is a non-addressable device designed for use in Group IIC (or IIB), T6 classified explosive gas atmospheres. It activates upon receiving a signal from a fire alarm controller during emergencies, producing a loud audible alarm. It can also be used with manual call points for basic alarm functions. Compatible with most fire alarm control panels, this bell is reliable, robust, and easy to install.

II. Technical Parameters

Parameter	Specification
Explosion-proof Rating	Exdb IICT6 Gb Extb IIIC T80°C Db
Operating Voltage	□ DC24V □ AC220V
Alarm Current	≤ 600 mA
Sound Output	95 dB ~ 110 dB
Protection Level	IP65
Operating Temperature	-20°C ~ +40°C
Weight	1.45 kg

III. Diagram



IV. Precautions

- 4.1 Do not perform live disassembly in hazardous areas. Maintenance and debugging must be done after power-off in a safe area.
- 4.2 Tighten all fasteners securely during installation. Do not damage flameproof surfaces; keep them clean and apply anti-rust oil periodically. Ensure spring washers and O-rings are correctly installed. Replace the unit if the flameproof surface is damaged.
- 4.3 Keep the unit clean. The maximum surface temperature during operation is below 80°C.
- 4.4 Fasteners must have a yield strength ≥ 640 MPa. Replace only with identical specifications.
- 4.5 Inspect components for cracks, pores, or defects affecting explosion-proof integrity. Replace damaged parts immediately.
- 4.6 Securely connect internal and external ground terminals. Use anti-static measures (e.g., wrist straps, gloves, tools) during operation. Keep the work area clean.
- 4.7 Contact us for further installation or maintenance support.
- 4.8 **Installation:** Secure the mounting bracket to the wall with M8 screws, then attach the bell. Use certified cable entry devices suitable for the site.

V. Testing, Installation & Wiring

Testing: Each bell has two external test wires. To test, connect a DC24V supply (non-polarized). The bell should sound for several minutes. **Note:** Remove test wires for final installation; use standard cable ($S \geq 1.0 \text{ mm}^2$) to maintain explosion-proof rating.

Installation: Mount the bell on the wall using M6 screws through its mounting lugs, with the cable entry port facing upwards. Use standard cable glands.



Wiring: Open the terminal compartment by loosening the cover screws. Connect wires to the terminals as shown below. Replace the cover securely after wiring.

D, D: DC24V or AC220V Power Input (Non-polarized)